



User manual for Separera Mini with urine container

This urine separating toilet is constructed from eco-friendly material and is designed to cope with high demand over many years. What does separating waste mean? Well, the toilet is designed so solid waste is separated from the liquid (urine). This means that Separera has two containers, one for urine and another for solid waste. Both must be dealt with in accordance with local regulations.

Contacting Environmental Health

Contact Environmental Health office regarding local health regulations. This applies when installing any type of toilet

The Separera box contains

Toilet with fan • Lid • Urine hose (1.5 m) • Screw with washer for wall bracket according to option A • Ventilation Pipe 50 cm for wall • Insect netting • 2 Composting containers • Latrine Bags (10 pcs)

The installation kit contains:

Ventilation pipes (4x1.1 m ventilation pipe with 55 mm outer diameter), exterior pipe (1 x 1.1m with 110 mm outer diameter), insulation (2 x 1 m), reducing coupling, roof flashing and insect netting. The connection kit used in installation option B can be ordered from your dealer.

Wall connection kit:

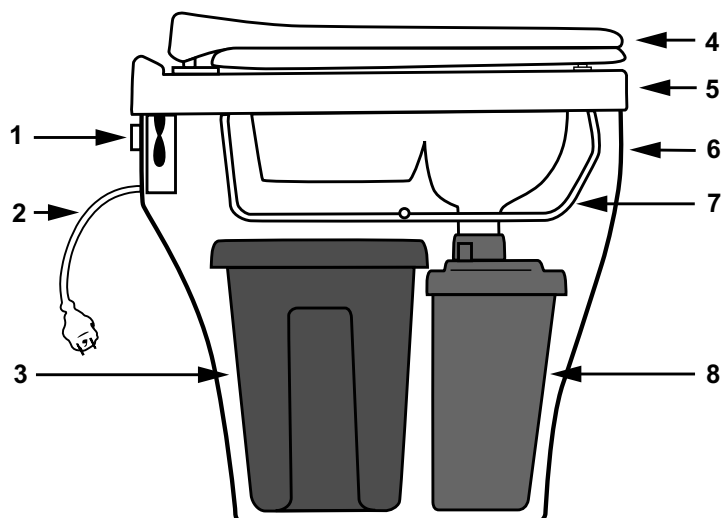
Wall bracket • Pipe bend 90 degrees • Screw / washers

Further accessories

Ejector Tank, Latrine Bags.

Separera Mini cross section

1. Fan motor
2. Plug / Cord
3. Inside container with a bag
4. Toilet seat, soft close
5. Upper section
6. Lower section
7. Compost cover
8. Urine container



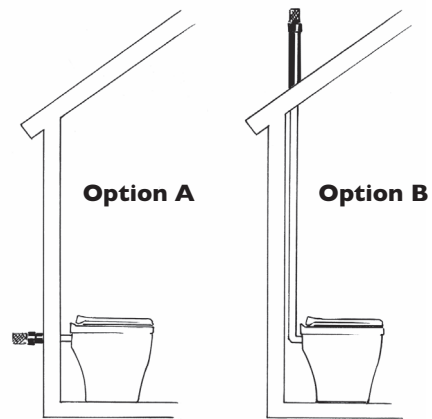
INSTALLATION

Tools:

Drill, Holesaw for 55 och 35mm hole, Silicon

Air supply

Make sure there is a good air supply, for example, through a 10 mm gap under the door or a vent. Air will be evacuated through the toilet, cross-draughts must be avoided.



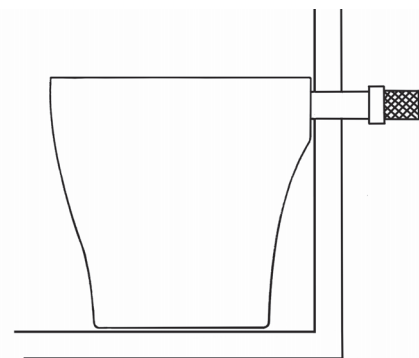
Assembly

Ventilation can be either through an external wall or up through the roof.

Option A – ventilation through external wall

The toilet is supplied with an installation kit according to Option A.

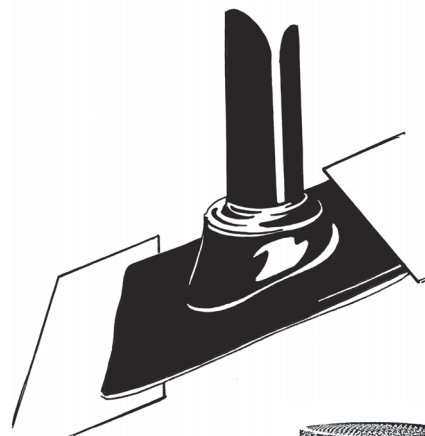
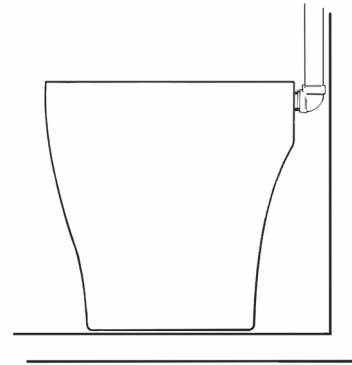
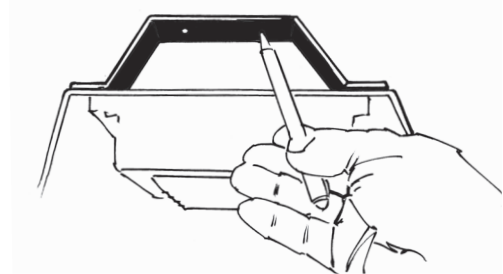
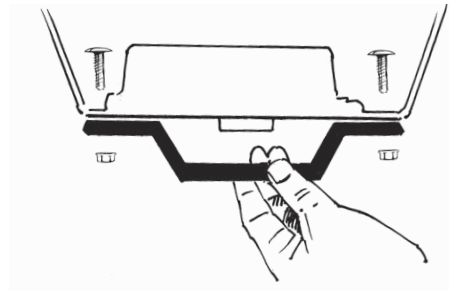
1. Lift off the upper section (5) of the toilet, remove the urine container (8) waste container (3).
2. Measure and mark for the ventilation pipe through the wall, hole centre 359 mm from the floor.
3. Make a hole in the external wall for the ventilation pipe (55 mm).
4. Set the lower section in position and mark for fastening in the wall.
5. Fit the ventilation pipe and seal in- and outside using silicone. Fit the insect netting.
6. Set the lower section in position and connect to the ventilation pipe.
7. Fasten the toilet securely to the wall using screws and washers.
8. Place a bag in the composting chamber and fold it over the edge. Put the frame in position to lock the bag. Place the container inside the lower section and make sure that the bag does not cover the fan.
9. Put the urine container in position.
10. Put the upper section back in place.
11. Plug in.
11. Check that the Separera logo is turning green to confirm that the urinecontainer is in correct position.



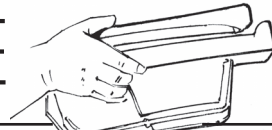
Option B – ventilation through the roof

Prior to installation of the Installation Kit and Connection Kit are needed. These can be purchased from the place where the toilet was bought.

1. Lift the upper section (5) of the toilet, remove the urine container (8) and waste container (3).
2. Fasten the wallbracket temporarily on the lower section (7), put the lower section in position against the wall. Mark for the bracket.
3. Remove the wallbracket from the toilet. Install the bracket on the wall.
4. Put the 90 degrees bend on the outlet. Set the lower section in position and fasten it to the wallbracket.
5. Make a hole in the roof for the ventilation pipe, 55 mm.
6. Install the ventilation pipes unsleeved end into the 90 degrees coupling.
7. Insulate all piping that passes through cold spaces (e.g. in the attic and on above roof. This is to prevent condensation.
8. Cut the exterior pipe to fit the angle of the roof.
9. Position the roof flashing. For tin roof, its better to have a sheetmetal worker to make the flashing.
10. Put the outer pipe with the roof flashing over the insulated ventilation pipe.
11. Adjust the roof flashing to the external roof and seal firmly with asphalt sealant between the flashing and the roof.
12. Once all the piping is insulated and covered, fit the reducing coupling on top, and then fit the insect netting.
13. Place a bag in the composting chamber and fold it over the edge. Put the frame in position to lock the bag. Place the container inside the lower section and make sure that the bag does not cover the fan.
14. Put the upper section back in place.
15. Plug in.
16. Check that the Separera logo is green to confirm that the urinecontainer is in correct position.



MAINTENANCE



Solid waste

With normal use, a family of four produces around 7 litres of solid waste per week. The emptying frequency depends on usage.

For example, after 2-3 weeks use by 4 people it will be time to switch composting chambers.

Lift out the inner container, take it out, add a little topsoil and put on the lid. Place the container in a shady place for composting. It takes 6 to 9 months of composting before the contents can be used as a fertiliser. Put a latrine bag in the other inner container.



Urine container

When the urine container is full the lamp will change from green to red.

1. Disconnect the power
2. Lift the upper section (6) of the toilet
3. Lift the urine container (8)
4. Empty
5. Rinse the container with hot water
6. Put it back
7. Connect to power. Check that the Separera logo is green to confirm that the urine-container is in correct position.



Electrical connection

Separera is approved for installation in wet rooms. For permanent installation, a qualified electrician must install a multi-pole switch. If the mains supply cable is damaged it must be replaced by the manufacturer or other qualified person.

General advice

- If insects get into the toilet, you can sprinkle BioLet Insektsstopp on the compost.
- If you do experience a bad odour in the room, check the pipe connections are properly sealed and if there is an adequate air supply.
- To clean the toilet, use only mild detergent. Never use abrasive cleaning agents.
- If the toilet is installed as option B and you leave the house for more than 2 days, switch off the fan and put the cover in the toilet opening. If there is a good natural draft no odour will occur.
- Empty the solid waste regularly, the bags start to decompose after 2-3 week.

SwedEco

Swedish Ecology AB » Klippan 1J » S-414 51 Göteborg » Sweden

Tel: +46 31 42 29 30 » Fax: +46 31 42 49 08 » info@mulltoa.com

www.mulltoa.com